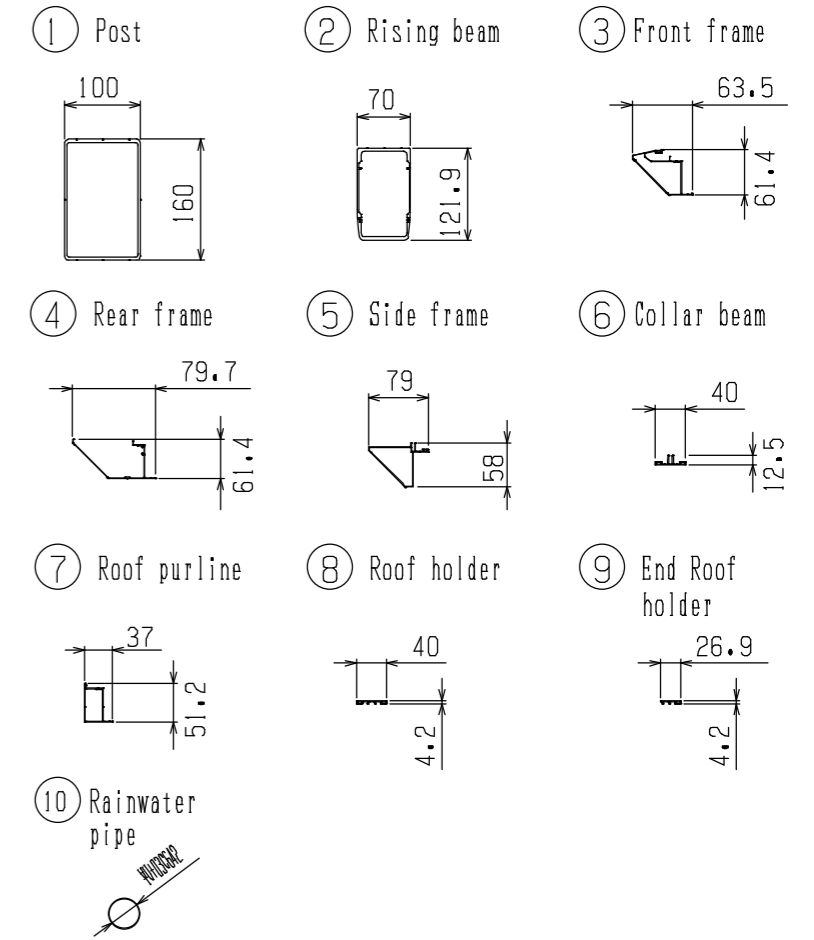
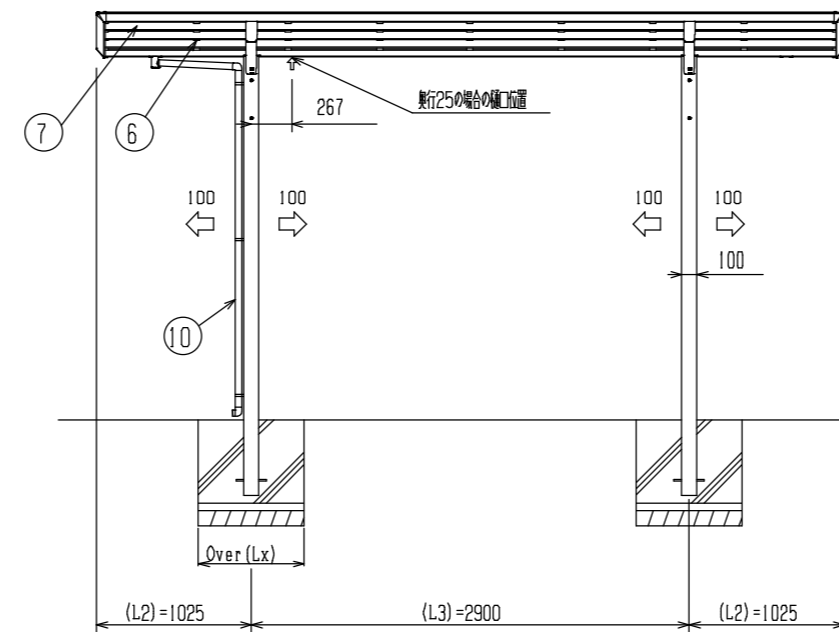
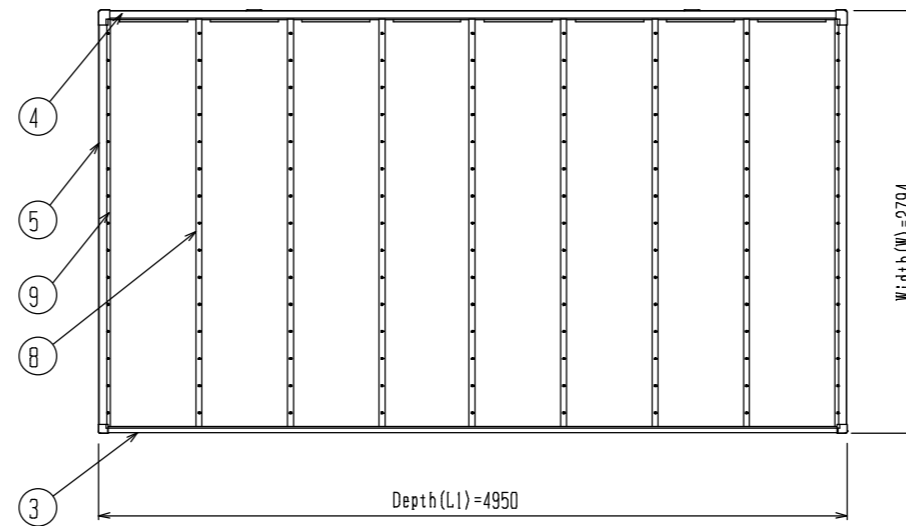
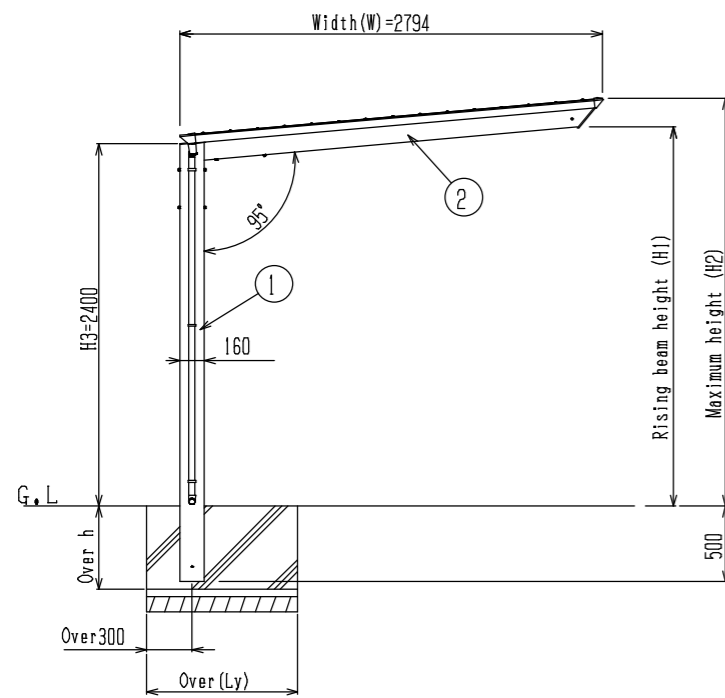


Installation drawing (S=1/50)

\* SMPE-P2850



x) When depth is 25, rainwater pipe comes to 267mm from post inside.

Code	Width W (mm)	Depth L1 (mm)	L2 (mm)	L3 (mm)	Rising beam height H1 (mm)	Maximum height H2 (mm)	H3 (mm)	Foundation size		
								Ly (mm)	Lx (mm)	h (mm)
SMPE-2125	2096	2534	1850	342	2449	2640	2400	800	700	550
SMPE-2150	2096	4950	2900	1025	2449	2640	2400	800	700	550
SMPE-2156	2096	5554	3200	1177	2449	2640	2400	800	700	550
SMPE-2550	2493	4950	2900	1025	2484	2675	2400	800	700	550
SMPE-2556	2493	5554	3200	1177	2484	2675	2400	800	700	550
SMPE-2850	2794	4950	2900	1025	2510	2701	2400	1000	700	550
SMPE-2856	2794	5554	3200	1177	2510	2701	2400	1000	700	550
SMPE-3150	3112	4950	2900	1025	2538	2729	2400	1200	700	550
SMPE-3156	3112	5554	3200	1177	2538	2729	2400	1200	700	550

Bolts	stainless
Roofing	heat resistance polycarbonate plate
⑩ Rainwater pipe	AAS
⑨ End Roof-holder	anodized coating composite film aluminum extruded material
⑧ Roof-holder	anodized coating composite film aluminum extruded material
⑦ Roof-purline	anodized coating composite film aluminum extruded material
⑥ Collar-beam	anodized coating composite film aluminum extruded material
⑤ Side-frame	anodized coating composite film aluminum extruded material
④ Rear-frame	anodized coating composite film aluminum extruded material
③ Front-frame	anodized coating composite film aluminum extruded material
② Rising beam	anodized coating composite film aluminum extruded material
① Post	anodized coating composite film aluminum extruded material
main parts	spec(material・coating)
model code	SMPE-P2850
name of product	Smart Port 600N/㎡ (Basic unit)